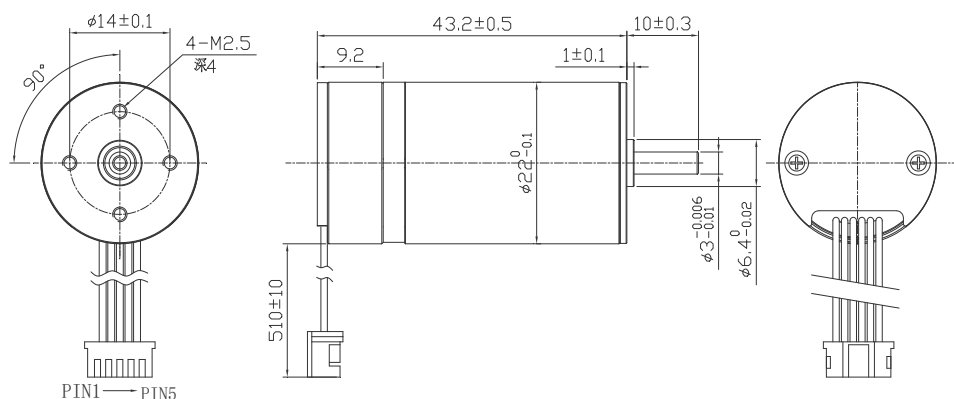


2238RBE空心杯内置伺服驱动电机(Coreless Motor With Built-in Servo Driver)

外形尺寸/outline size



Built-in servo drive motor

注意：以下端子定义只能二选一(Note: Pls choose one from following terminal options)			
端子定义选择1: JST PHR-5P PH2.0 AWG26 PE		端子定义选择2: JST PHR-5P PH2.0 AWG26 PE	
PIN1	-	黑色(Black)	PIN1 - 黑色(Black)
PIN2	+	红色(Red)	PIN2 + 红色(Red)
PIN3	空	白色(White)	PIN3 方向Direction 白色(White)
PIN4	A(485通讯口)	蓝色(BLue)	PIN4 故障信号Fault signal 蓝色(BLue)
PIN5	B(485通讯口)	黄色(Yellow)	PIN5 脉冲Pulse 黄色(Yellow)

电机参数 (Motor data)		16B	26B	25B	14B	27B	15B	24B	06B	19B
1 额定电压 Nominal voltage	V	6	7.4	12	12	24	24	24	30	32
2 最高转速 Maximum speed	rpm	11000	14000	12000	13000	16000	17000	16000	15000	18000
3 最大连续电流 Nominal current	A	0.8	0.8	0.8	0.8	0.8	0.8	0.8	0.8	0.8
4 最大连续转距 Maximum turning distance	mNm	25	30	25	35	40	40	35	30	45
5 堵转电流 Stall current	A	3	3	1.5	3	3	3	2	1	3
6 转距常数 Torque constant	mNm/A	5.10	4.95	9.36	8.64	14.04	13.21	14.04	18.72	16.64
7 转速/转距梯度 Speed/pitch gradient	rpm/mNm	440	467	480	371	400	425	457	500	400

内置伺服驱动器 (Built-in servo drive)	
参数Parameter:	功能特点Functional characteristics:
1、工作电压(Operating voltage): DC7V-36V	1、集成于电机尾部, 无需外接驱动器, 精简产品结构及线路连接
2、额定电流(Nominal current): 3A	Integrated at the rear of the motor, eliminating the need for external drivers and simplifying product structure and wiring connections.
3、最小速度单位(Mini. speed unit): 0.01RPM	2、接口: 485接口或 脉冲+方向+故障信号
4、最小电流单位(Unit of minimum current): 1mA	Interface: 485 interface or pulse+direction+fault signal
5、速度控制精度(Speed control accuracy): ±0.5%	3、采用3相FOC矢量控制电机
6、电流控制精度(Current control accuracy): ±5mA	Adopting 3-phase FOC vector to control motor
7、最小位置控制单位(Minimum position control unit): 0.01°	4、MODBUS控制协议(485接口通讯)
8、485接口(485 interface):	MODBUS control protocol (485 interface communication)
9、①最大电压5V(Max Voltage 5V) ②A、B	5、速度模式、电流模式(可控制扭力)
③最大波特率921600(Max baud rate 921600)	Velocity mode、Current mode (controllable torque)
④传输距离(波特率921600): 20米	6、故障输出、运行状态(包括: 角度、速度、电流、电压、温度、
Transmission distance (baud rate 921600) : 20 meters	状态) Fault output, operating status (including: angle, speed,
10、脉冲+方向接口(TTL) Pulse direction interface (TTL):	current, voltage, temperature, status)
①允许输入上拉电压Allows input of pull-up voltage: 5V	7、过压保护、欠压保护、过流保护、驱动器过温保护。
②最大脉冲频率Max pulse frequency: 1MHz	Protective functions: overvoltage, undervoltage, overcurrent,
③传输距离: >2米 (Transmission distance>2M)	excess temperature